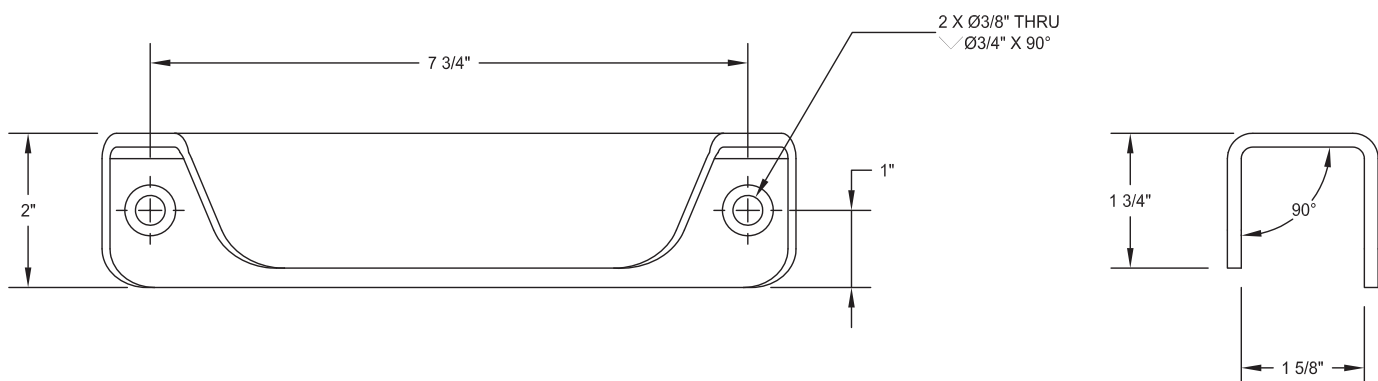
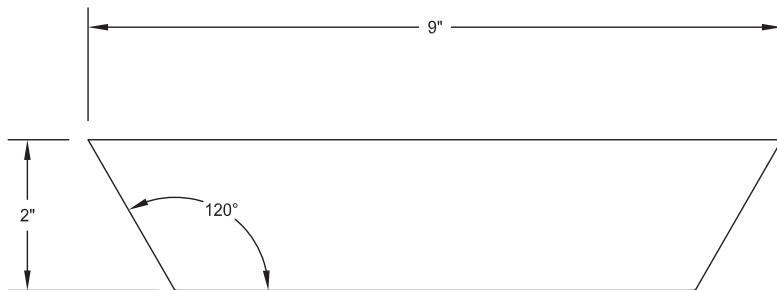
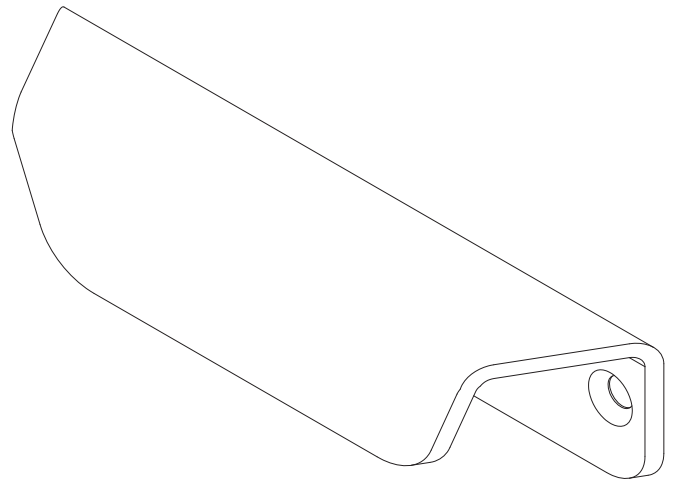


WCP0209 Willoughby Channel Door Pull

WCP0209 Specifications:

- 7 Ga. Stainless Steel
- 9" Long x 2" Height / Projection
- 3/8-16 Oval Head Security Screws Provided
- Designed to minimize the ability to be used as a ligature point



WARNING: Cancer and Reproductive Harm

- www.P65Warnings.ca.gov

visit our website at www.willoughby-ind.com
5105 West 78th Street • Indianapolis, IN. 46268
(317) 875-0830 • Fax: (317) 875-0837 • (800) 428-4065