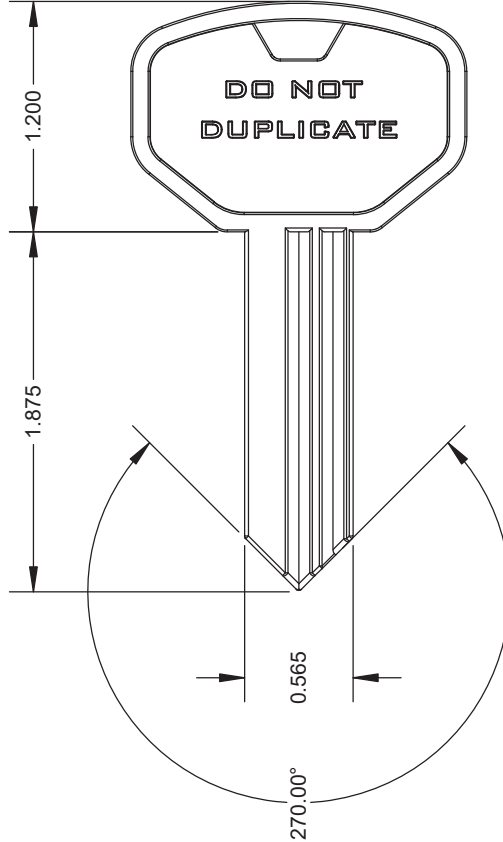
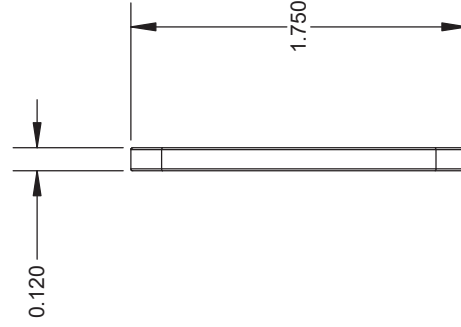



KEY CUT TO
SPECIFIC PROJECT BITTING
NOT SHOWN FOR
SECURITY PURPOSES



NOTE: SEE PROJECT FILE FOR SPECIFIC KEY DETAILS

| | | | | | |
|---|---|------------------------|-----------------------|--------------------|-------------------------------|
|  WILLOUGHBY | Willoughby Industries, Inc. Indianapolis, Indiana | TITLE / DESC: | WLS CUT KEY, MOGUL | PART #: | WL-1029C |
| | TOLERANCES EXCEPT AS NOTED 2 PLS: ±0.01 3 PLS: ±0.015 FRACTIONS: ±1/4" ANGLE: ±1° | A CAST BRONZE ALLOY | A TB | 10.5.23 10.5.23 | REVISION ORIG: TRB REV: TB |