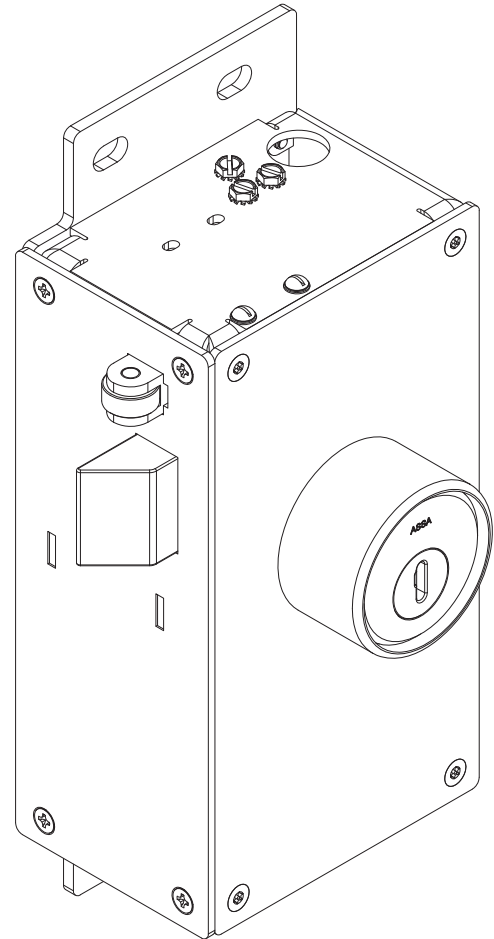


## WLS-1520 Stainless Steel Electromechanical Detention Lock



### Recommended Specifications

#### Application:

The WLS-1520 series lock is used in high security applications including medium and maximum inmate confinement, Governmental and Industrial buildings. The WLS-1520 series can be used with a standard or mogul type cylinders. The WLS-1520 is normally jamb mounted in steel door frame with a recommended minimum 14 gauge construction.

#### Standard lock shall include:

- High security and impact resistant
- Latch has a full 1" bolt throw with a 3/4" x 1-1/2" cross section
- High torque 24VDC motor or manual key unlock/relock
- 24VDC operation, .25-.5 amp @ 24VDC, 2 amp max draw
- Door jamb mounted
- Can withstand abnormally high side loads in excess of 850lbs
- Lock case and cover are constructed from 11 gauge stainless steel
- All internal parts including strike plate are machined stainless, cast stainless steel and other non-ferrous alloys
- Internal monitoring of deadlock status achieved through a direct contact with a lock status switch. The lock status switch must be used in conjunction with a door position switch. Use of an approved door position switch ensures that the door is closed & locked when a secure signal is sent to the control source
- Lock Status Switch and Motor Control Switches
- Full or Half Cycle Functions available
- Internal structural reinforcement bracket

#### Optional Features:

- LEK - Local Electronic Keyswitch
- KCE - Key Cylinder Extension
- TPR - Tamper Switch
- EHB - Electronic Hold Back w/ Remote Relock
- MHB - Mechanical Hold Back

#### Certifications:

- ASTM F1450 Security Grade 1 Impact Certified
- ASTM F1577 Grade 1 Impact Certified
- UL10C fire rated

**To specify fixture and accessories, use the Model Number and Options page.**

Example: To specify a stainless steel electromechanical automatic cell door lock, keyed one side, 24VDC and left hand reverse.

Use the following Willoughby Model Number:

**WLS-1520-K1-24V-LHR**



**WARNING:** Cancer and Reproductive Harm

- [www.P65Warnings.ca.gov](http://www.P65Warnings.ca.gov)

visit our website at [www.willoughby-ind.com](http://www.willoughby-ind.com)  
5105 West 78th Street • Indianapolis, IN. 46268  
(317) 875-0830 • Fax: (317) 875-0837 • (800) 428-4065



MADE IN THE U.S.A.

# MODEL NUMBER AND OPTIONS:

## 1.) Model Number:

- WLS-1520 Stainless Steel Electromechanical Automatic Cell Door Lock

## 2) Keyed:

- K1 Keyed One Side
- K2 Keyed Both Sides
- Other \_\_\_\_\_

## 3.) Voltage:

- 24V - 24v DC Motor Lock
- 120S - 120v AC Solenoid Lock
- 120M - 120v AC Motor Lock

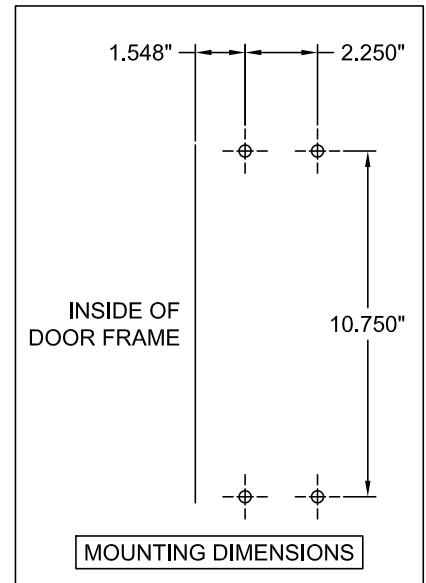
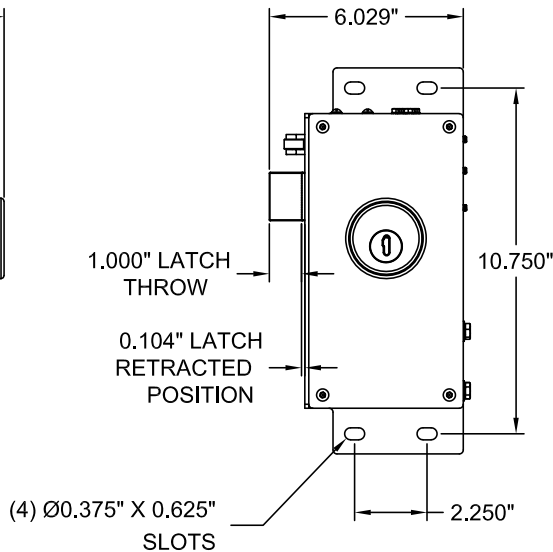
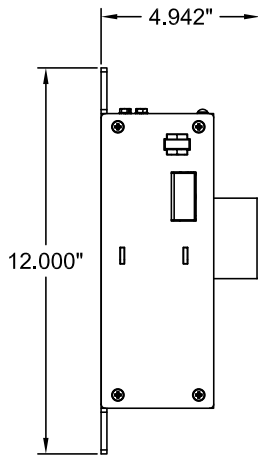
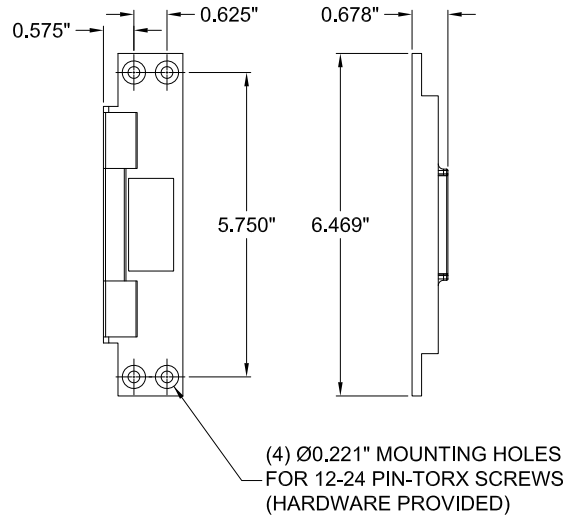
## 4.) Lock Handing:

- LH Left Hand Lock (In-swing Door)
- RH Right Hand Lock (In-swing Door)
- LHR Left Hand Reverse Lock
- RHR Right Hand Reverse Lock

## 5.) Options:

- LEK Local Electronic Keyswitch
- KCE Key Cylinder Extension (Specify)
- TPR Tamper Switch
- EHB Electronic Hold Back w/ Remote Relock
- MHB Mechanical Hold Back
- Other \_\_\_\_\_

## STRIKE PLATE MOUNTING DIMENSIONS



**DRAWINGS ARE FOR REFERENCE ONLY, CONTACT FACTORY TO VERIFY DIMENSIONS**

WILLOUGHBY RESERVES THE RIGHT TO MAKE CHANGES IN DESIGN AND DIMENSIONS WITHOUT FORMAL NOTICE AND WITHOUT INCURRING OBLIGATION.

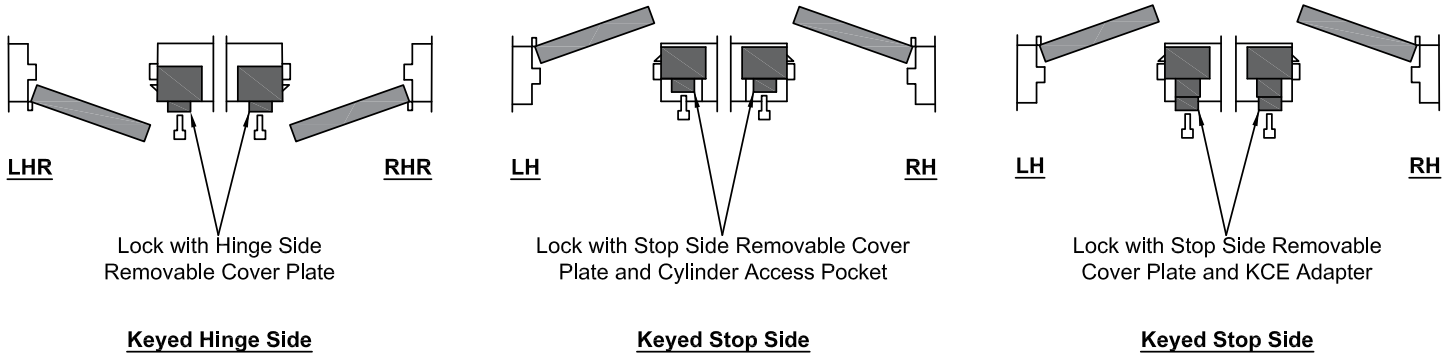
visit our website at [www.willoughby-ind.com](http://www.willoughby-ind.com)  
 5105 West 78th Street • Indianapolis, IN. 46268  
 (317) 875-0830 • Fax: (317) 875-0837 • (800) 428-4065



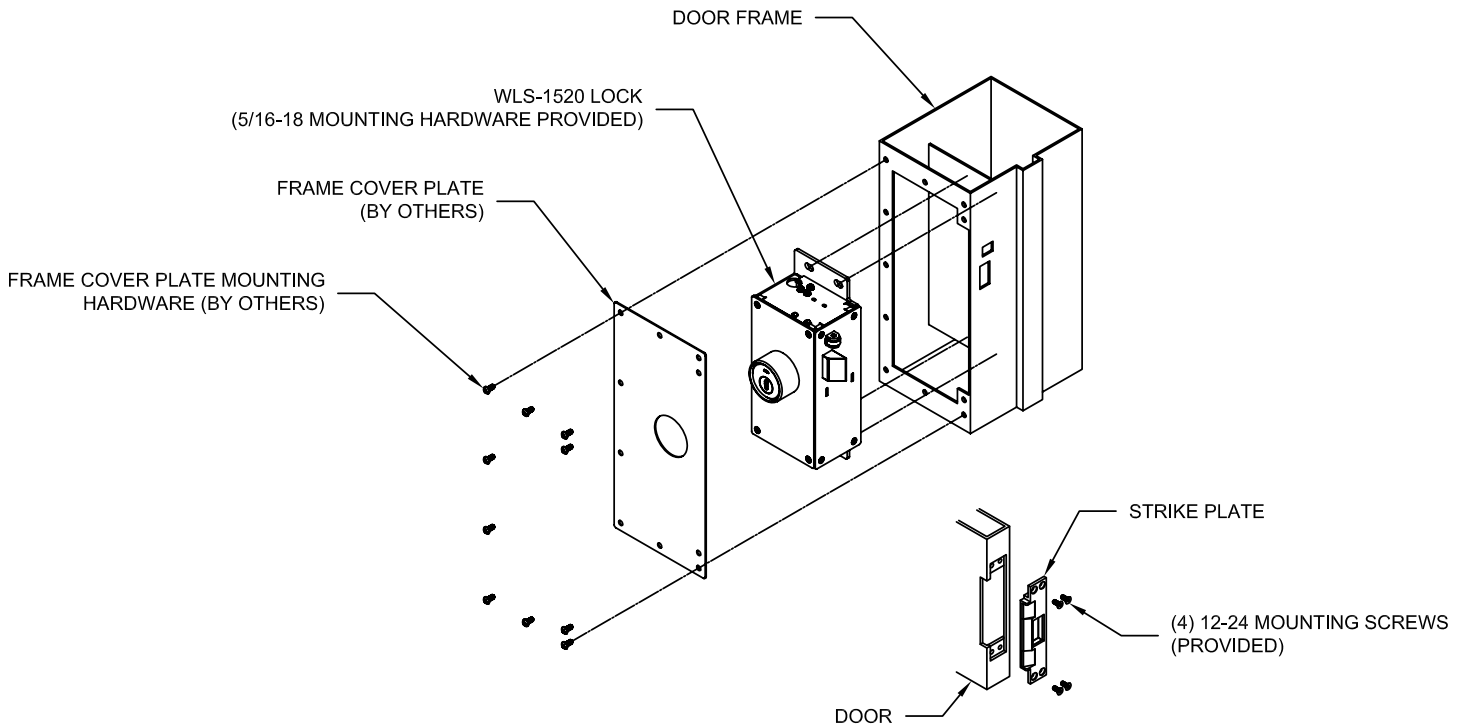
MADE IN THE U.S.A.

# ADDITIONAL INFORMATION:

## LOCK ORIENTATION



## LOCK & STRIKE PLATE INSTALLATION



visit our website at [www.willoughby-ind.com](http://www.willoughby-ind.com)  
5105 West 78th Street • Indianapolis, IN. 46268  
(317) 875-0830 • Fax: (317) 875-0837 • (800) 428-4065



MADE IN THE U.S.A.