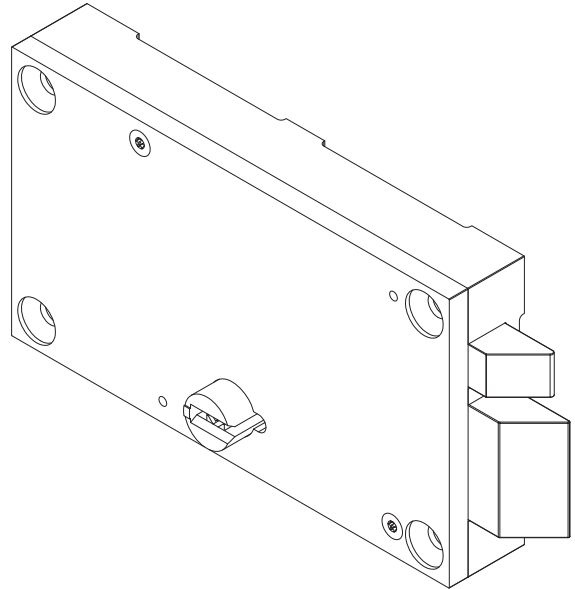




WLS-1770 Stainless Steel Mechanical Automatic Deadlatch Lock



Recommended Specifications

The WLS-1770 series deadlatch lock is used in high security applications for slam closing and automatic deadlocking is of a high priority in Governmental and Industrial buildings. The WLS-1770 series uses a paracentric cylinder and key.

The WLS-1770 is not recommended as the a primary means of securing inmate living areas is a requirement.

Standard lock shall include:

- High security and impact resistant
- 3/4" bolt throw
- Latch size is 2" x 3/4"
- Lock case, cover and latch are constructed from cast stainless steel utilizing hardened brass key, cylinder and tumblers
- Lever tumblers are designed with 'anti-pick' notches for both the locked and unlocked positions
- Key-way depths are designed to impede of 'picking' of locks
- Key is made of bronze alloy and machined to fit smoothly into lock (sold separately)
- Lock is mounted with a 7ga. Mounting Plate with 8 security screws (included with lock)

Certification:

- ASTM F1577 Grade 1 Impact Certified
- UL10C fire rated

To specify fixture and accessories, use the Model Number and Options page.

Example: To specify a stainless steel mechanical automatic deadlatch lock, in swinging, keyed one side, and strike plate.

Use the following Willoughby Model Number:

WLS-1770-IS-K1-S



WARNING: Cancer and Reproductive Harm

- www.P65Warnings.ca.gov

visit our website at www.willoughbylocks.com
5105 West 78th Street • Indianapolis, IN. 46268
(317) 875-0830 • Fax: (317) 875-0837 • (800) 428-4065



MADE IN THE U.S.A.

MODEL NUMBER AND OPTIONS:

1.) Model Number:

- WLS-1770 Stainless Steel Mechanical Automatic Deadlatch Lock

2) Swing Position:

- IS In Swing
 - LH Left Hand Lock
 - RH Right Hand Lock
- OS Out Swing
 - LHR Left Hand Reverse Lock
 - RHR Right Hand Reverse Lock

3) Keyed:

- K1 Keyed One Side
- K2 Keyed Both Sides
- Other _____

4) Strike plate:

- S Strike plate
- SD Strike plate w/ Dust Box
- SS Strike plate w/ Indication Switch

5) Escutcheon:

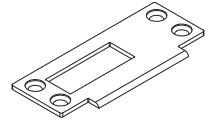
- EC1 1-Way Escutcheon

6) Mounting:

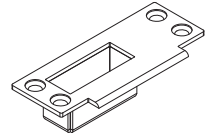
- HM Hollow Metal
 - Flush
 - Surface

STRIKE PLATE MOUNTING DIMENSIONS

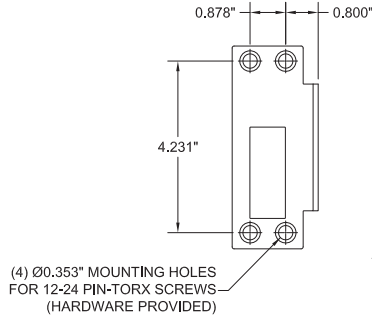
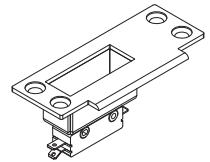
S - STRIKE PLATE



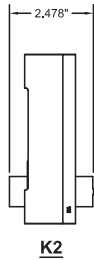
SD - STRIKE PLATE W/ DUST BOX



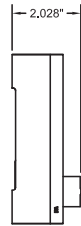
SS - STRIKE PLATE W/ INDICATION SWITCH



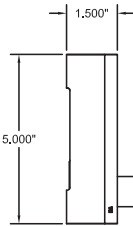
(4) Ø0.353\" MOUNTING HOLES FOR 12-24 PIN-TORX SCREWS (HARDWARE PROVIDED)



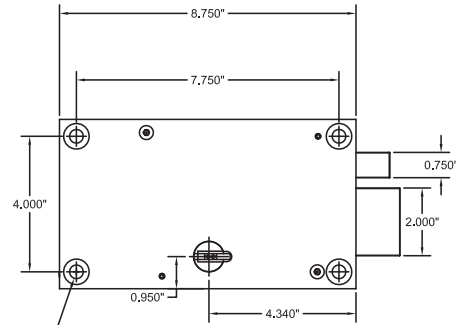
K2



K1

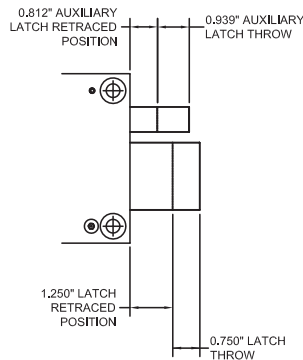


5.000"

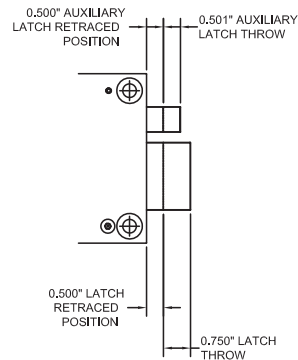


(4) Ø0.402\" MOUNTING HOLES

IN SWING



OUT SWING



DRAWINGS ARE FOR REFERENCE ONLY, CONTACT FACTORY TO VERIFY DIMENSIONS

WILLOUGHBY RESERVES THE RIGHT TO MAKE CHANGES IN DESIGN AND DIMENSIONS WITHOUT FORMAL NOTICE AND WITHOUT INCURRING OBLIGATION.

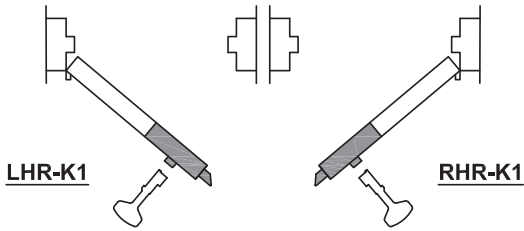
visit our website at www.willoughbylocks.com
 5105 West 78th Street • Indianapolis, IN. 46268
 (317) 875-0830 • Fax: (317) 875-0837 • (800) 428-4065



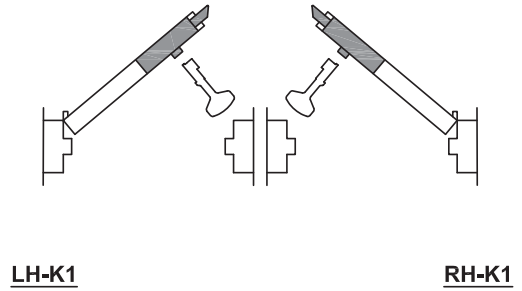
MADE IN THE U.S.A.

ADDITIONAL INFORMATION:

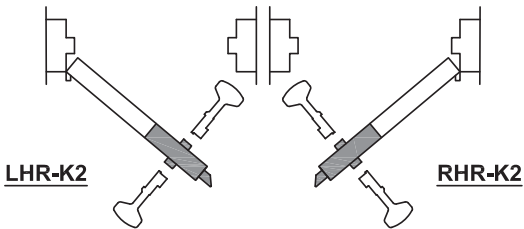
LOCK HANDING CHART



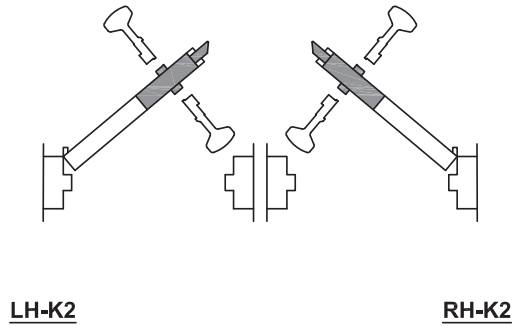
KEYED K1 HINGED SIDE
HOLLOW METAL MOUNTING PLATE
(FOR OUT-SWING DOORS)



KEYED K1 STOP SIDE
HOLLOW METAL MOUNTING PLATE
(FOR IN-SWING DOORS)



KEYED K2
HOLLOW METAL MOUNTING PLATE
(FOR OUT-SWING DOORS)



KEYED K2
HOLLOW METAL MOUNTING PLATE
(FOR IN-SWING DOORS)

visit our website at www.willoughbylocks.com
5105 West 78th Street • Indianapolis, IN. 46268
(317) 875-0830 • Fax: (317) 875-0837 • (800) 428-4065



MADE IN THE U.S.A.