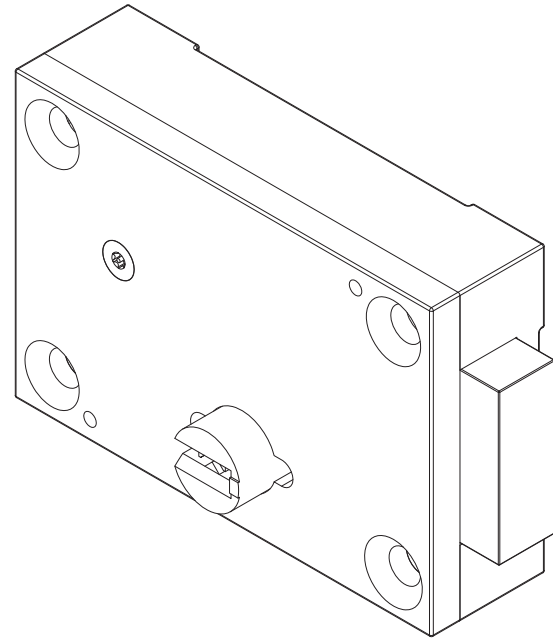




WLS-1780 Stainless Steel Deadbolt Lock



Recommended Specifications

The WLS-1780 series lock is used in high security applications for perimeter doors in Governmental and Industrial buildings. The WLS-1780 series uses a paracentric cylinder and key.

Standard lock shall include:

- High security and impact resistant
- 3/4" bolt throw
- Hinge side mounting 1/2" bolt projection
- Stop side mounting 1-1/4" bolt projection
- Deadbolt size is 2" x 3/4"
- Lock case, cover and latch are constructed from cast stainless steel utilizing hardened brass key, cylinder and tumblers
- Lever tumblers are designed with 'anti-pick' notches for both the locked and unlocked positions
- Key-way depths are designed to impede of 'picking' of locks
- Key is made of bronze alloy and machined to fit smoothly into lock (sold separately)
- Lock is mounted with a 7ga. Mounting Plate with 8 security screws (included with lock)

Certification:

- ASTM F1450 Security Grade 1 Impact Certified

To specify fixture and accessories, use the Model Number and Options page.

Example: To specify a stainless steel deadbolt lock, and keyed one side.

Use the following Willoughby Model Number:
WLS-1780-LHR-K1



WARNING: Cancer and Reproductive Harm

- www.P65Warnings.ca.gov

visit our website at www.willoughbylocks.com
5105 West 78th Street • Indianapolis, IN. 46268
(317) 875-0830 • Fax: (317) 875-0837 • (800) 428-4065



MADE IN THE U.S.A.

MODEL NUMBER AND OPTIONS:

1.) Model Number:

- WLS-1780 Stainless Steel Deadbolt Lock

2) Keyed:

- K1 Keyed One Side
- K2 Keyed Both Sides

3) Lock Handing (See handing chart on next page):

- LH Left Hand Lock (In-swing Door)
- RH Right Hand Lock (In-swing Door)
- LHR Left Hand Reverse Lock
- RHR Right Hand Reverse Lock

4) Mounting:

- HM Flush Mount 7ga. Stainless Steel Plate for Hollow Metal Doors

5) Strike plate:

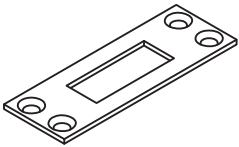
- S Strike plate
- SD Strike plate w/ Dust Box
- SS Strike plate w/ Indication Switch

6) Escutcheon:

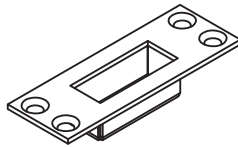
- EC1 1-Way Escutcheon
- EC2 2-Way Escutcheon

STRIKE PLATE MOUNTING DIMENSIONS

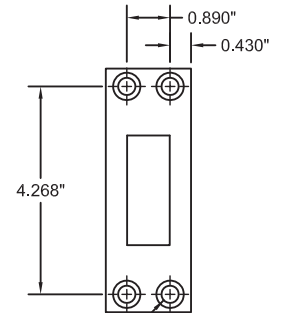
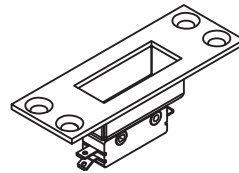
S - STRIKE PLATE



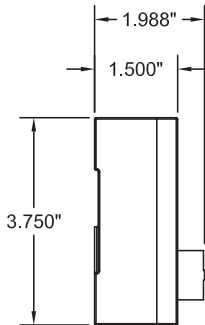
SD - STRIKE PLATE W/ DUST BOX



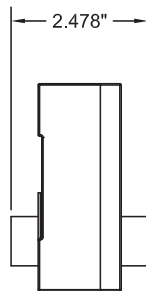
SS - STRIKE PLATE W/ INDICATION SWITCH



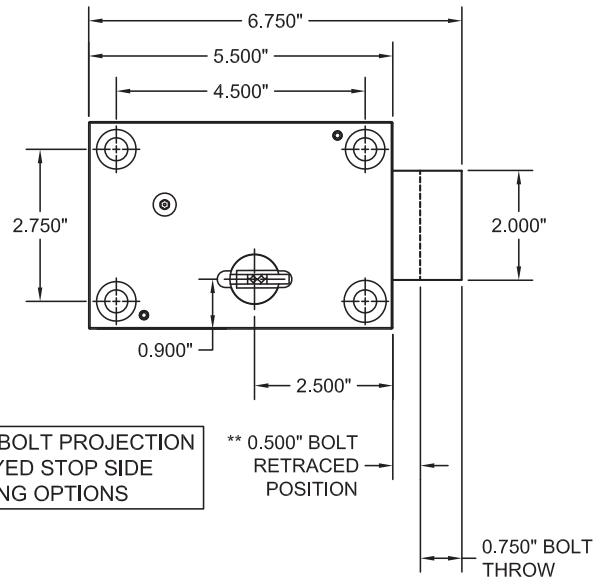
(4) Ø0.354" MOUNTING HOLES FOR 12-24 PIN-TORX SCREWS (HARDWARE PROVIDED)



K1



K2



** 1-1/4" BOLT PROJECTION FOR KEYED STOP SIDE MOUNTING OPTIONS

** 0.500" BOLT RETRACTED POSITION

DRAWINGS ARE FOR REFERENCE ONLY, CONTACT FACTORY TO VERIFY DIMENSIONS

WILLOUGHBY RESERVES THE RIGHT TO MAKE CHANGES IN DESIGN AND DIMENSIONS WITHOUT FORMAL NOTICE AND WITHOUT INCURRING OBLIGATION.

visit our website at www.willoughbylocks.com

5105 West 78th Street • Indianapolis, IN. 46268

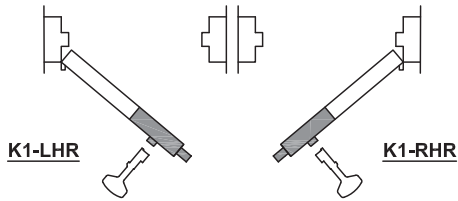
(317) 875-0830 • Fax: (317) 875-0837 • (800) 428-4065



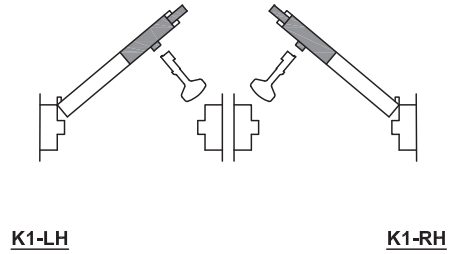
MADE IN THE U.S.A.

ADDITIONAL INFORMATION:

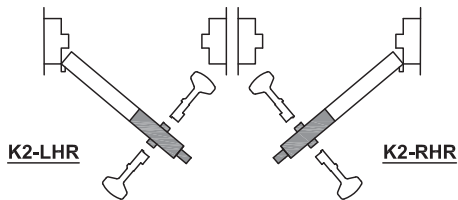
LOCK HANDING AND KEY CHART



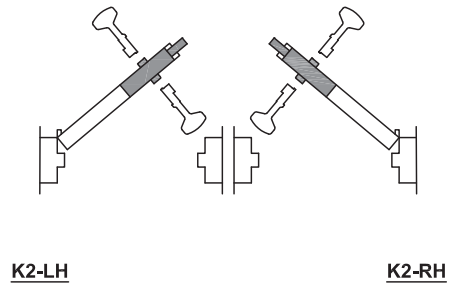
KEYED K1 HINGED SIDE
HOLLOW METAL MOUNTING PLATE
1/2" BOLT PROJECTION
(FOR OUT-SWING DOORS)



KEYED K1 STOP SIDE
HOLLOW METAL MOUNTING PLATE
1-1/4" BOLT PROJECTION
(FOR IN-SWING DOORS)



KEYED K2
HOLLOW METAL MOUNTING PLATE
1/2" BOLT PROJECTION
(FOR OUT-SWING DOORS)



KEYED K2
HOLLOW METAL MOUNTING PLATE
1-1/4" BOLT PROJECTION
(FOR IN-SWING DOORS)

visit our website at www.willoughbylocks.com
5105 West 78th Street • Indianapolis, IN. 46268
(317) 875-0830 • Fax: (317) 875-0837 • (800) 428-4065



MADE IN THE U.S.A.