



WLS-1015 Stainless Steel Head & Foot Bolt Lock

Recommended Specifications

The WLS-1015 series lock is used in inactive side of a double door opening in Governmental and Industrial buildings.

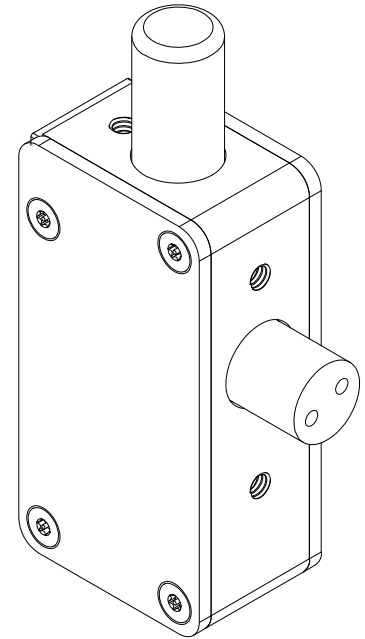
The WLS-1015 is keyed with a double tooth key

Standard lock shall include:

- 3/4" bolt throw
- Bolt size is 1" x 1-11/16"
- Lock case, cover and latch are constructed from stainless steel
- Key is made of stainless steel and is designed to fit smoothly into lock (sold separately)
- Lock is mounted with 2 security screws

Options:

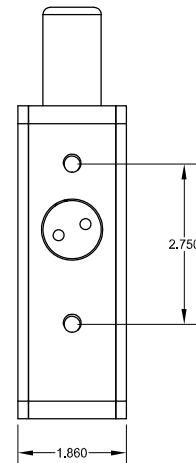
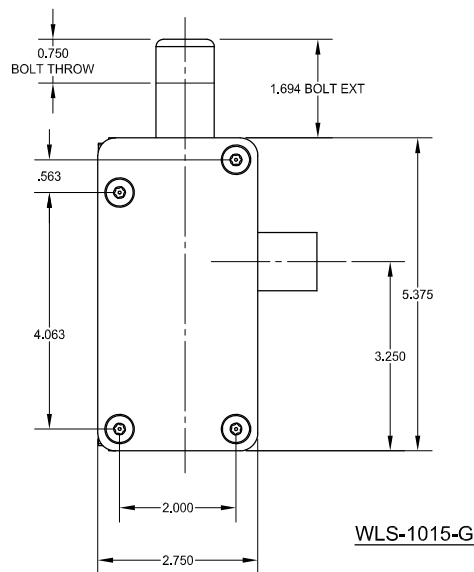
- G Lock with side plates for use in grille or expanded metal doors
- HM Lock without side plates for use for mortise mounting in hollow metal doors



To specify fixture and accessories, use the Model Number and Options page.

Example: To specify a head and foot bolt lock, with side plates.

Use the following Willoughby Model Number:
WLS-1015-G



WARNING: Cancer and Reproductive Harm

- www.P65Warnings.ca.gov

visit our website at www.willoughbylocks.com
5105 West 78th Street • Indianapolis, IN. 46268
(317) 875-0830 • Fax: (317) 875-0837 • (800) 428-4065



MADE IN THE U.S.A.