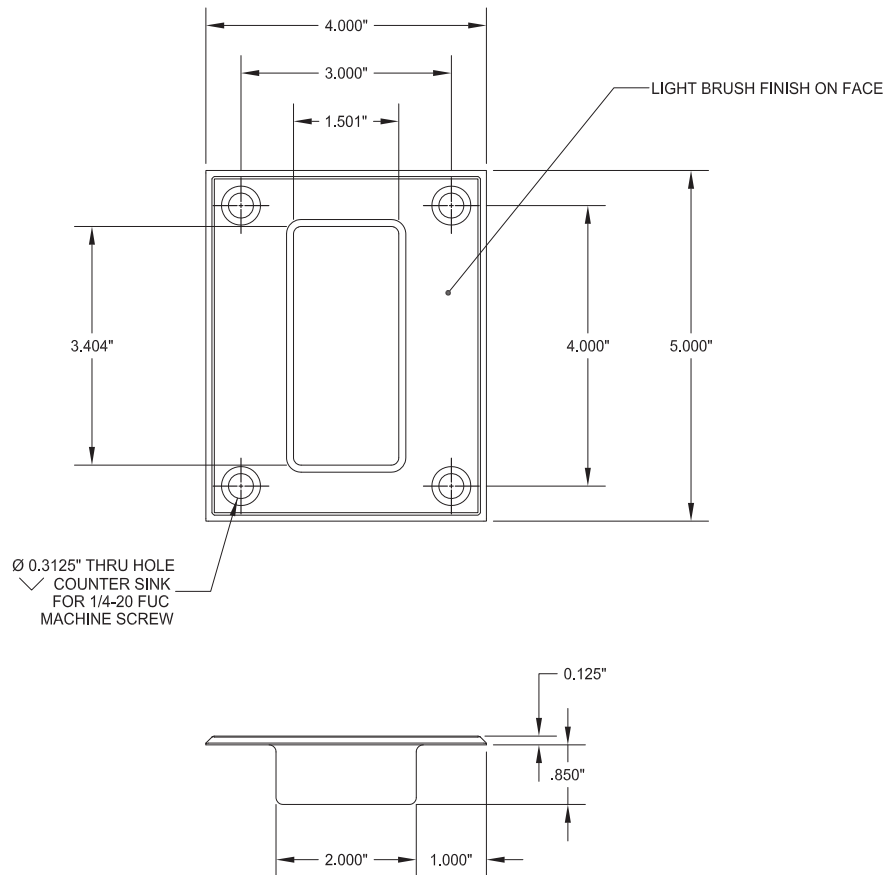
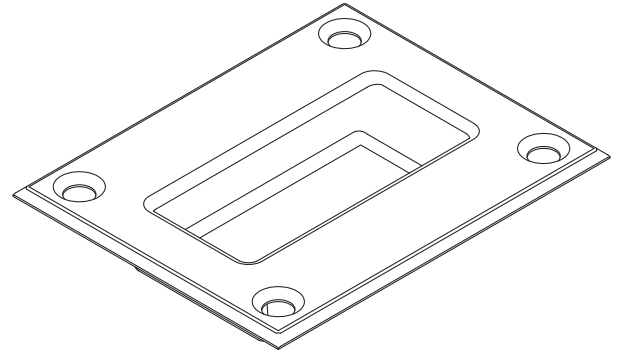




## WFP0405 Willoughby Flush Door Pull

**WFP0405** shall be cast 304 Stainless Steel with a brushed Stainless finish on the exposed face. Anchoring shall be by (4) 1/4-20 flat head security Stainless steel screws that are provided. WFP0405 is designed to minimize the ability to be used as a ligature point.



**WARNING:** Cancer and Reproductive Harm

- [www.P65Warnings.ca.gov](http://www.P65Warnings.ca.gov)

visit our website at [www.willoughbylocks.com](http://www.willoughbylocks.com)  
5105 West 78th Street • Indianapolis, IN. 46268  
(317) 875-0830 • Fax: (317) 875-0837 • (800) 428-4065



MADE IN THE U.S.A.